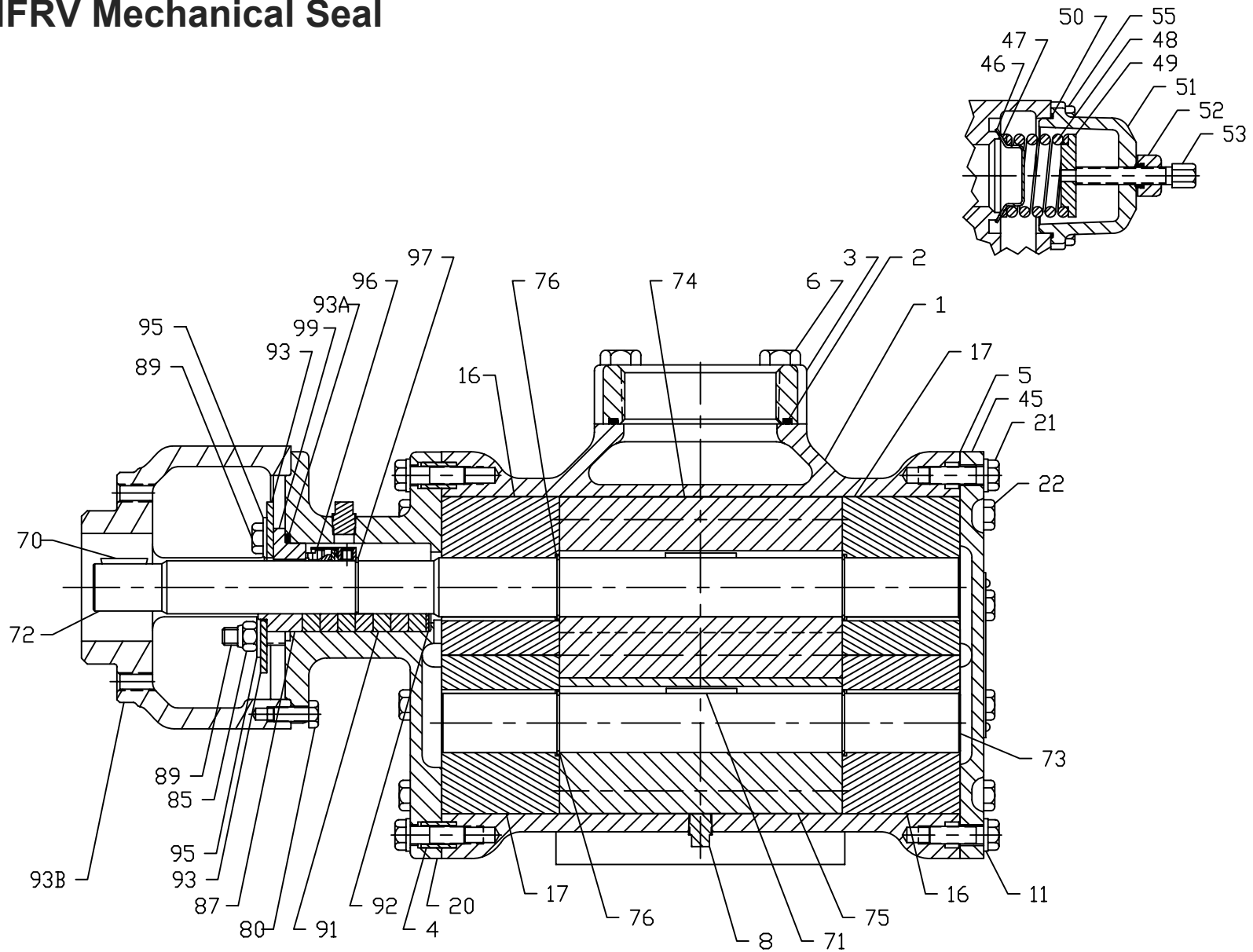


ROPER STAINLESS STEEL HYDRAULIC DRIVEN 3" PUMPS

9622BHFRV Packed Box

9722BHFRV Mechanical Seal



Tank Truck Service & Sales, Inc.
Warren, Michigan
800-482-2678

9622-9722 BHFRV

ROPER STAINLESS STEEL HYDRAULIC DRIVEN PUMPS
9622BHFRV - PACKED BOX
9722BHFRV - MECHANICAL SEAL

KEY NO.	DESCRIPTION	9622-9722	
		QTY	PART NO.
1	Case	1	CP1-414
2	"O" Ring, Flange	2	G70-20
3	Flange	2	CP23-71
4	Dowel Pin	2	D48-42
5	Case Gasket	2	G11-236
6	Hex Hd Cap Screw	8	G75-050175
8	Pipe Plug	5	G56-43
11	Lockwasher	4	G8-396
16	Brg Assy	2	N16-143
17	Brg Assy	2	N16-144
20	Backplate	1	CP2-1631
21	Hex Hd Cap Screw	4	G75-037150
22	Hex Hd Cap Screw	16	G75-037125
45	Faceplate, RV	1	CP3-457
46	Poppet	1	D16-16
47	Adapter	1	G8-282
48	Spring, Std Press	1	G10-363
	Spring, High Press	1	G10-429
49	Spring Guide	1	D8-355
50	"O" Ring, RV Cap	1	G70-25
51	RV Body	1	CP24-24
52	Nut, Lock & Seal	1	G43-68
53	Adjusting Screw	1	G62-51
55	Hex Hd Cap Crew	4	G75-031075
70	Key, Drive	1	D30-32
71	Key, Gear	2	D30-168
72	Drive Shaft	1	D1-2601
73	Idler Shaft	1	D1-2599
74	Gear, LH	1	D6-704
75	Gear, RH	1	D6-705
76	Ret Ring	4	G41-146
80	Hex Hd Cap Crew	4	G75-031075
85	Locknut	2	G43-24
87	Pkg Gland	1	D45-218
89	Stud, Pkg	4	D22-273
	Hex Hd Cap Screw, Mech Seal	4	G75-037075
91	Pkg Rings	7	G14-838
92	Pkg Washer	1	D8-482
93	Seal Retainer	1	D8-480
93A	"O" Ring, Seal Face (Tef-O-Sil)	1	G70-23
93B	Brg Cage	1	P4-476-18
95	Washer	4	G8-289
96	Mech Seal Rot. Face (Carbon)	1	G14-339
97	Ret Ring	1	G41-68
99	Seal Face (Ceramic)	1	D23-347

Note-
To replace entire mechanical seal assembly you need #93A, #96 and #99 (although many times #99 can be reused. Inspect first)

Major Rebuild Kit - 9722BHFRV Mech. Seal Pump N44-366